

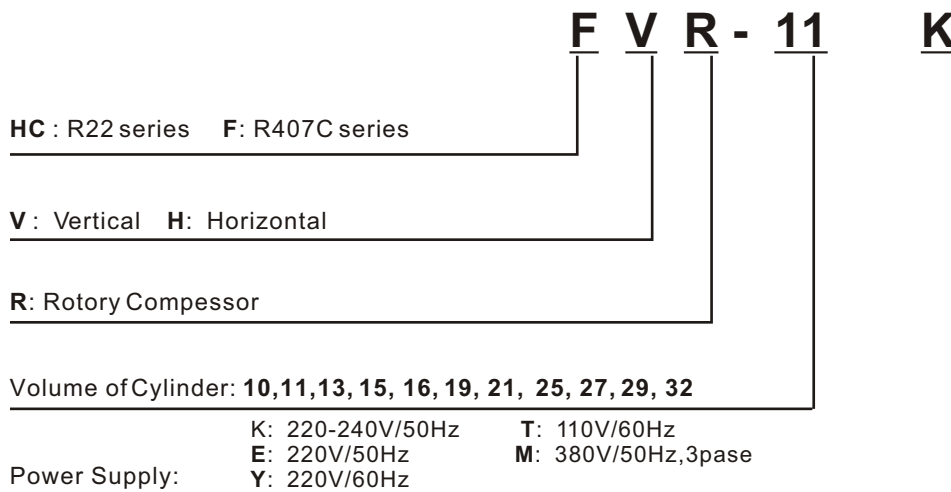
### Features

- Adept R407C refrigerant
- 220~240V/50Hz power source
- Compact design, complete unit in compact dimension.
- Widely application such as suit for commercial refrigeration, food service equipments, cooling storage, caravan airconditioning systems etc.






R407C

### Nomenclature



### Nameplate and service lable

<p><b> AISLU </b> Rotary Compressor</p>	<p>MODEL <b>FHR-11K</b></p>  <p>SERIAL <b>F0556860HR11K0505</b></p>  <p>CUSTOMER <b>AU3X00001</b></p>  <p>220-240VAC/50Hz 1580W/557W 3.0A <b>R407C</b></p> <p style="text-align: center;">WENZHOU AISLU ELECTRIC CO.,LTD. MADE IN CHINA</p>	<p>→ Compressor Model Number and barcode</p> <p>→ Compressor batch production number, production time and barcode</p> <p>→ Customer ID</p> <p>→ Basic performance</p> <p>→ Refrigerant</p>
<p><b> ⚠ WARNING </b> <small>Service should be performed by trained personnel only</small></p> <p><b> ⚡ ELECTRIC SHOCK HAZARD </b> - Ground the equipment securely. - Turn off the power before servicing. - Securely retain terminal cover whenever power is applied to this compressor</p> <p><b> 🔥 GETTING BURNT </b> - Do not touch the compressor with bare hands during operation or after stoppage instantly.</p> <p><b> 💣 EXPLOSION OR FIRE </b> - Wear safety goggles and gears. System contains oil and refrigerant under pressure. - Do not compress air. - Do not operate the compressor without charge in the system.</p>		

**Sepecification****■ General**

FHR series horizontal rotary compressor is designed as per GB/T15765-1995, GB4706.1-1998, GB4706.17-2004 standards, is reference to ASHRAE and ARI standards.  
FHR series horizontal rotary compressors adopt R407C refrigerant.

Type	Hermetic rotary compressor
Structure of working	Rotary
Refrigerant	R407C
Oil / Max. Oil Feed	FVC68D / 450ml
Surface coating	Amino Baking Enamel coating, semi-gloss, black
Weight	11.8kg
Nominal volume of cylinder	13.5 cm <sup>3</sup>
Suction pipe diameter (inner)	∅ 12.8mm
Discharge pipe diameter (inner)	∅ 9.7mm

**■ Motor performance**

Type / Starting	PSC capacitor running
Poles	2poles
Rated voltage	220-240V/50Hz
Insulation	Class B
Coil resistance (25°C)	4.145ohm / 4.630ohm (main/secondary)
Stall (locked) Current (230V)	18A
Starting voltage range	187V ~ 242V
Running voltage range	198V ~ 242V
Running capacitor	25 uF
Waterproof level	D40 (Normal)

**■ System performance**

Cooling capacity	1580W (5400Btu/h)
Input	557W
Working current	3.0A
C.O.P	2.49 w/w
Noise	<=63db
<i>Testing condition:</i>	
Testing power supply:	230VAC/50Hz
Evaporating Temperature:	7.20°C
Condensing Temperature:	54.40°C
Sub-Cooling Temperature:	46.10°C
Ambient Temperature:	35°C
Suction Temperature:	35°C

**■ Safe parameter**

Gas pressurize	High pressure: 2.9Mpa / Low pressure: 1.6Mpa
Intensity pressure	High pressure: 10.5Mpa / Low pressure: 2.2Mpa
Insulation resistance (cold state)	>= 50M ohm
Electrical strength (cold state)	5mA - AC1800V / 1second passed
Residual water	<= 150mg
Solid residue	<= 75mg
Grounding resistance	<= 0.1 ohm

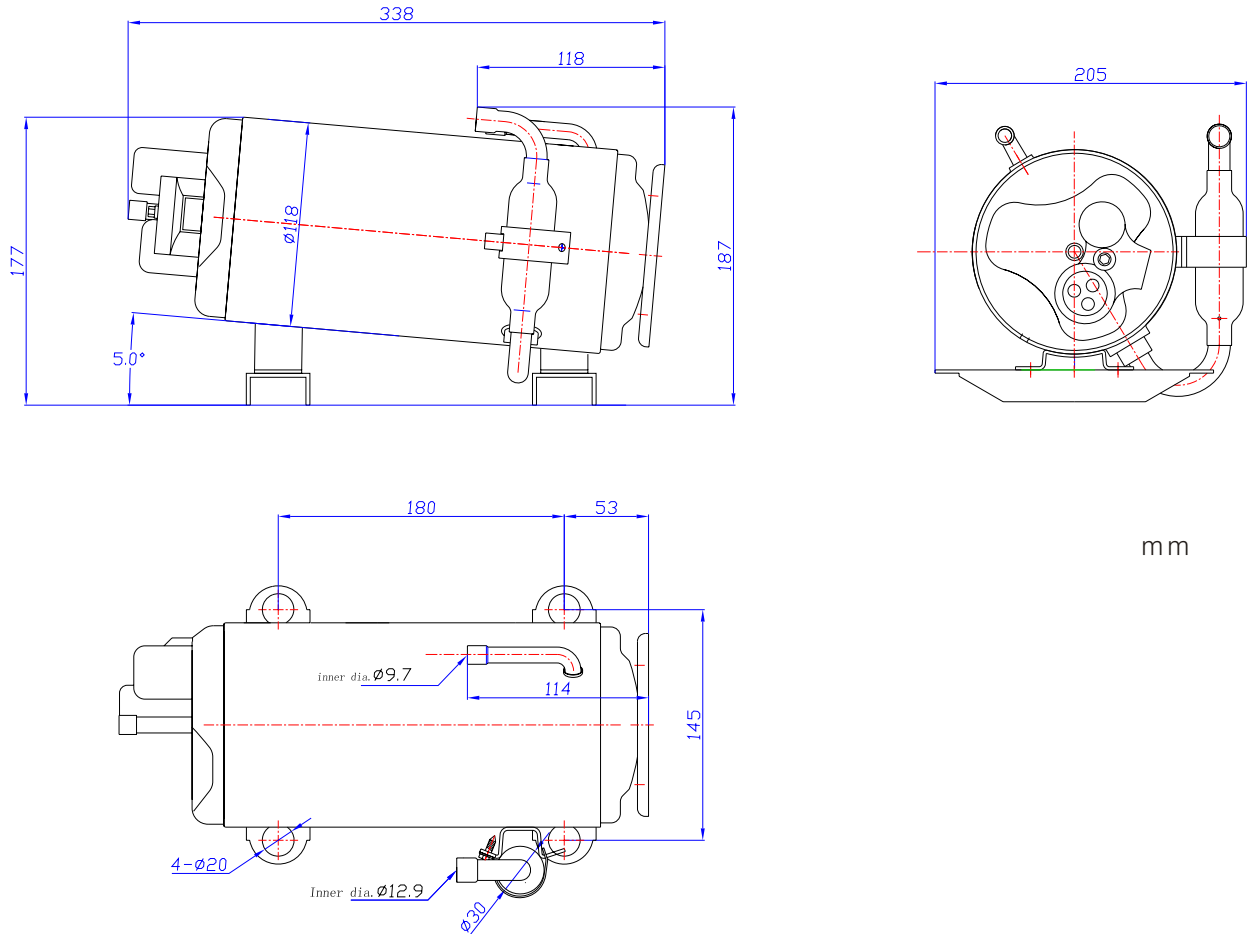
**■ Limit of uses**

Item	Normal	Max.
Discharge Pressure	<= 2.06Mpa	2.6Mpa
Suction Pressure	0.29 ~ 0.59 Mpa	0.1 ~ 0.69Mpa
Coil temperature	<= 100°C	125°C
Discharge pipe temperature	<= 100°C	115°C

**Compressor and accessories**

Item	Model Number	Q.T.Y
Compressor	FHR-11K	1
Shock absorption mat	/	3
Connecting box	/	1
Connecting box rubber mat	/	1
Fix nut	/	1
Protector	B145-140	1
Spring	/	1

### Outline dimensions



mm

### Wiring diagram

