

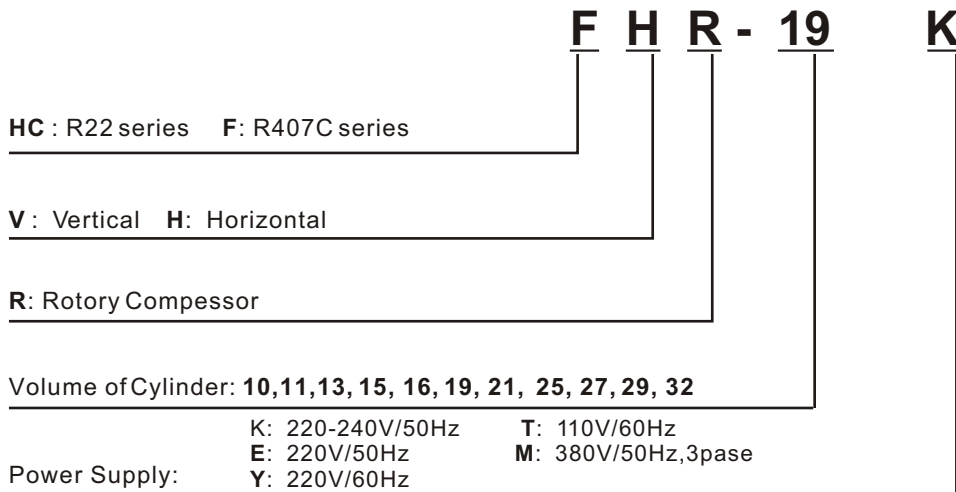
Features

- Adept R407C refrigerant
- 220~240V/50Hz power source
- Compact design, complete unit in compact dimension.
- Widely application such as suit for commercial refrigeration, food service equipments, cooling storage, caravan airconditioning systems etc.






R407C

Nomenclature



Nameplate and service lable

AISLU Rotary Compressor	MODEL FHR-19K  SERIAL F0558610HR13K0201  CUSTOMER AU3X00001  220-240VAC/50Hz 3270W/1194W 5.5A R407C WENZHOU AISLU ELECTRIC CO.,LTD. MADE IN CHINA	→ Compressor Model Number and barcode → Compressor batch production number, production time and barcode → Customer ID → Basic performance → Refrigerant
<p>WARNING Service should be performed by trained personnel only</p> <p>ELECTRIC SHOCK HAZARD - Ground the equipment securely. - Turn off the power before servicing. - Securely retain terminal cover whenever power is applied to this compressor</p> <p>GETTING BURNT - Do not touch the compressor with bare hands during operation or after stoppage instantly.</p> <p>EXPLOSION OR FIRE - Wear safety goggles and gears. System contains oil and refrigerant under pressure. - Do not compress air. - Do not operate the compressor without charge in the system.</p>		

Sepecification

■ General

FHR series horizontal rotary compressor is designed as per GB/T15765-1995, GB4706.1-1998, GB4706.17-2004 standards, is reference to ASHRAE and ARI standards.
FHR series horizontal rotary compressors adopt R407C refrigerant.

Type	Hermetic rotary compressor
Structure of working	Rotary
Refrigerant	R407C
Oil / Max. Oil Feed	RL-32RV / 300ml
Surface coating	Amino Baking Enamel coating, semi-gloss, black
Weight	11.8kg
Nominal volume of cylinder	19.2 cm ³
Suction pipe diameter (inner)	∅ 12.8mm
Discharge pipe diameter (inner)	∅ 8.1mm

■ Motor performance

Type / Starting	PSC capacitor running
Poles	2poles
Rated voltage	220-240V/50Hz
Insulation	Class B
Coil resistance (25°C)	4.145ohm / 4.630ohm (main/secondary)
Stall (locked) Current (230V)	48A
Starting voltage range	187V ~ 242V
Running voltage range	198V ~ 242V
Running capacitor	30 uF
Waterproof level	D40 (Normal)

■ System performance

Cooling capacity	3270W (11118Btu/h)
Input	1194W
Working current	5.5A
C.O.P	2.74 w/w
Noise	<=65db

Testing codition:

Testing power supply:	220VAC/50Hz
Evaporating Temperature:	7.20°C
Condensing Temperature:	54.40°C
Sub-Cooling Temperature:	46.10°C
Ambient Temperature:	35°C
Suction Temperature:	35°C
Discharge Temperature:	85°C

■ Safe parameter

Gas pressurize	High pressure: 2.9Mpa / Low pressure: 1.6Mpa
Intensity pressure	High pressure: 10.5Mpa / Low pressure: 2.2Mpa
Insulation resistance (cold state)	>= 50M ohm
Electrical strength (cold state)	5mA -AC1800V / 1second passed
Residual water	<= 200mg
Solid residue	<= 100mg
Grounding resistance	<= 0.1 ohm

■ Limit of uses

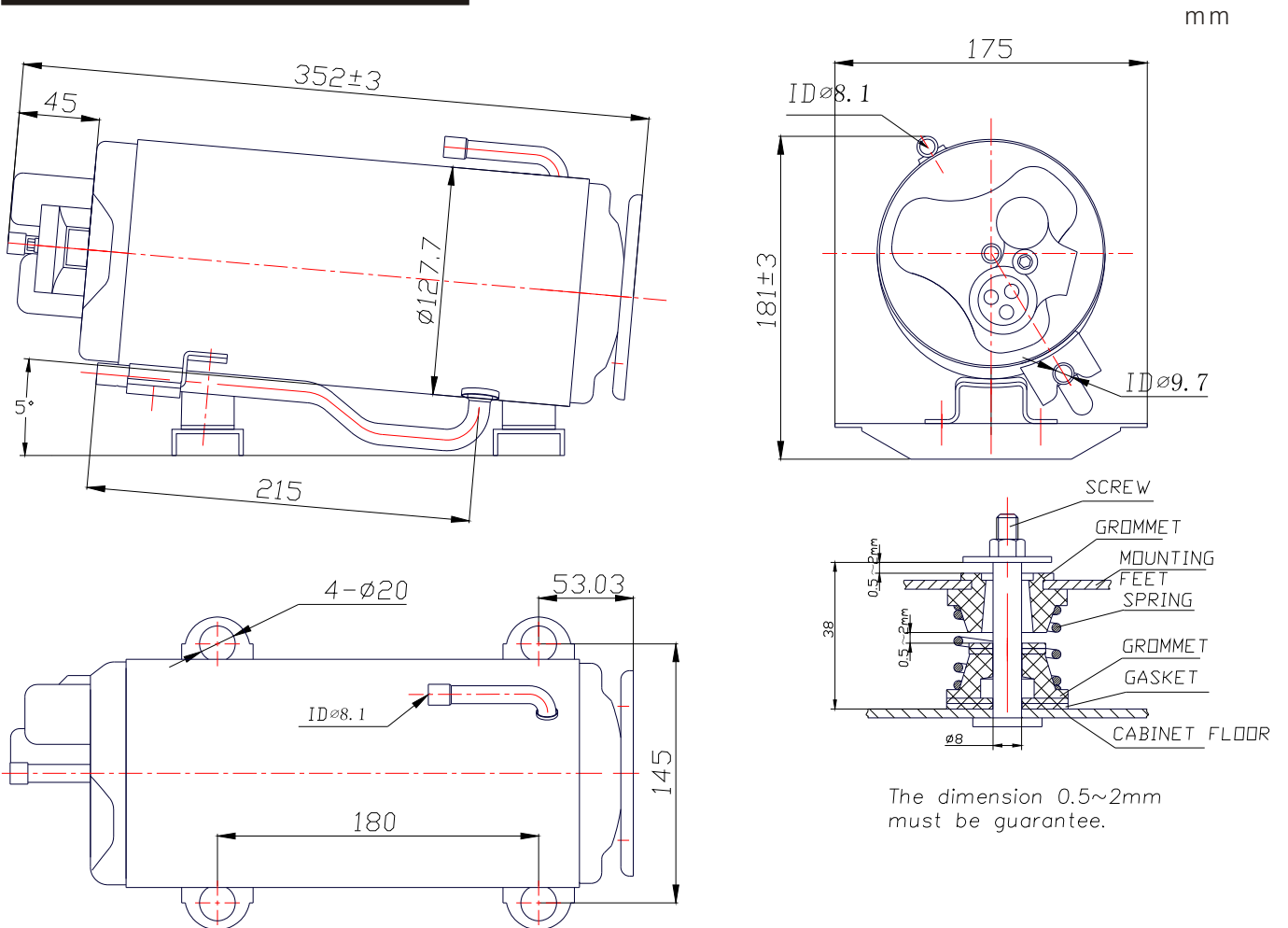
Item	Normal	Max.
Discharge Pressure	<= 2.06Mpa	2.6Mpa
Suction Pressure	0.29 ~ 0.59 Mpa	0.1 ~ 0.69Mpa
Coil temperature	<= 100°C	125°C
Discharge pipe temperature	<= 100°C	115°C

Compressor and accessories

Item	Model Number	Q.T.Y
Compressor	FHR-19K	1
Shock absorption mat	/	4
Connecting box	/	1
Connecting box rubber mat	/	1
Fix nut	/	1
Protector	B190-140	1
Spring	/	1

* Max refrigerant charge <=850g.

Outline dimensions



Wiring diagram

